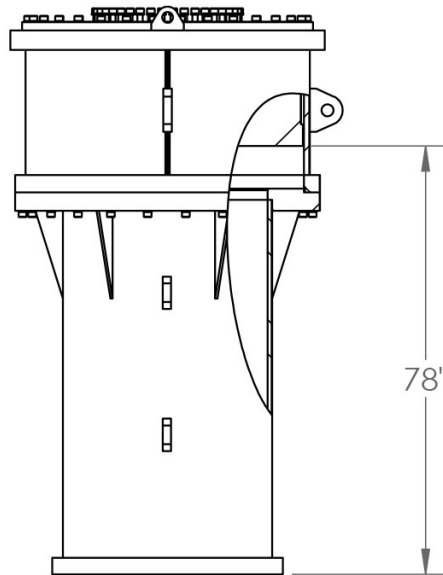
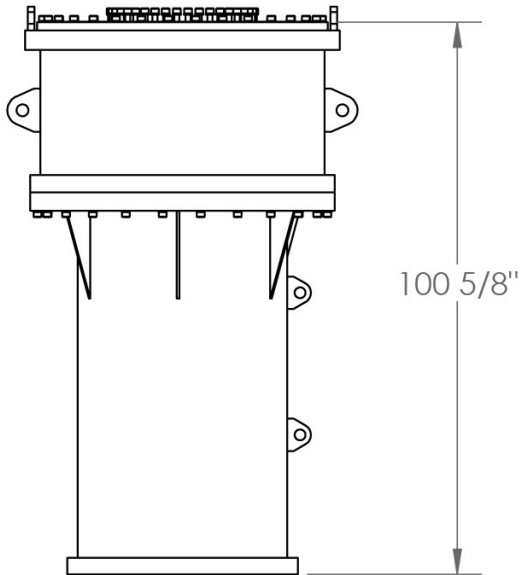
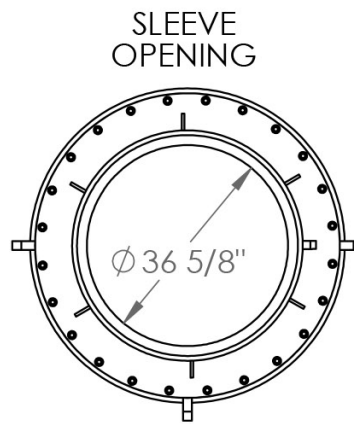
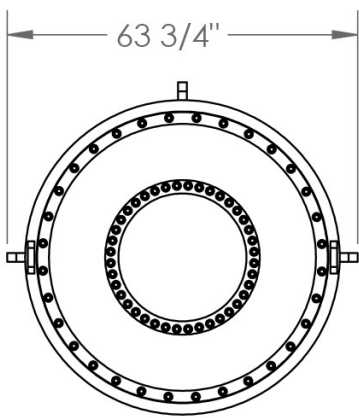
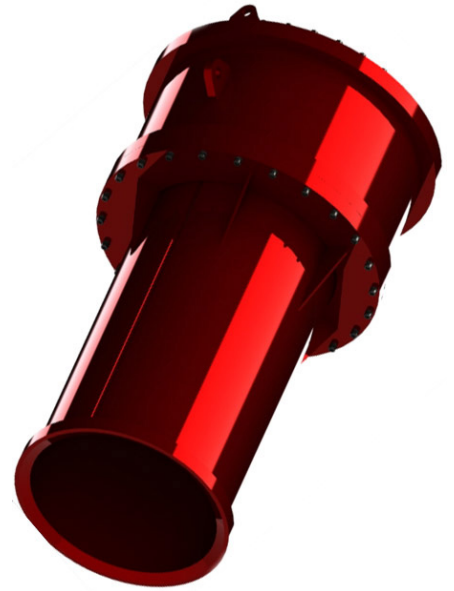


#8005443

36" SLEEVE TO FIT 48" CAP TO FIT S150 HYDRAULIC HAMMER



36" SLEEVE TO FIT 48" CAP TO FIT S150
 HYDRAULIC HAMMER

#8005443

Weight: 16,494.64 lbs.